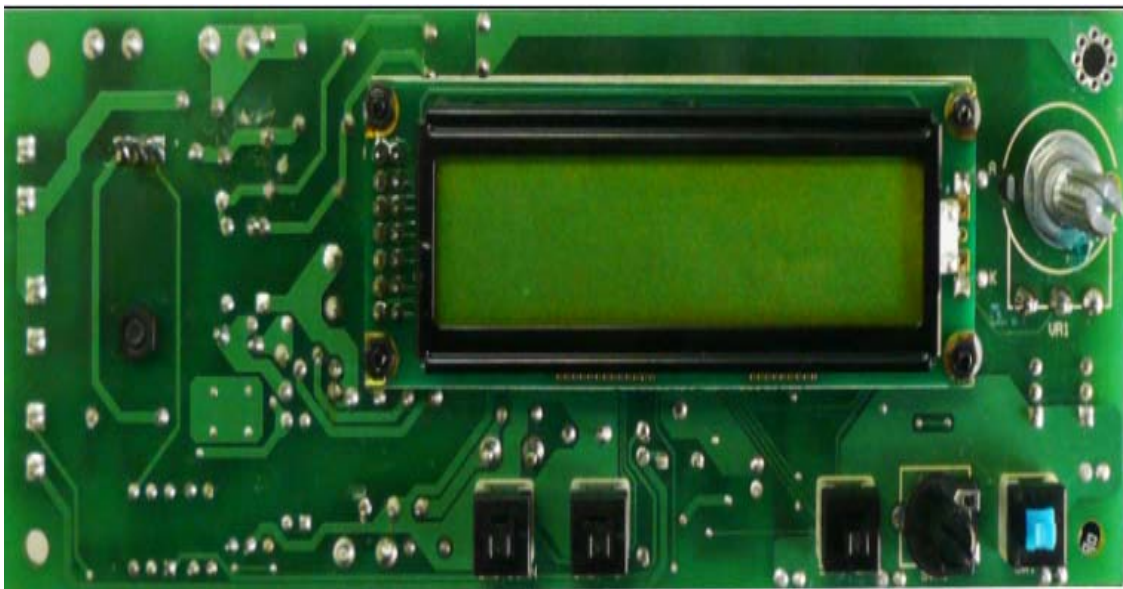


DX-F07

1 CH Fluorescent Dimmer Pack

【User Manual】



Lite Puter Enterprise Co., Ltd.

Website : www.liteputer.com.tw

Email : sales@liteputer.com.tw

Index

CHAPTER 1 INTRODUCTION	2
1-1 FEATURE	2
1-2 SPECIFICATION.....	2
1-3 FUNCTION.....	2
1-4 DIMENSION	3
1-5 SYSTEM DIAGRAM.....	3
CHAPTER 2 OPERATION.....	4
2-1 CONTROL MODE SETTING.....	4
2-2 DMX ADDRESS SETTING	4
2-3 DIMMING CURVE SETTING.....	4
2-4 LCD BACKLIGHT SETTING	5
2-5 DC OUTPUT SETTING	5
GUARANTEE	6

Chapter 1 Introduction

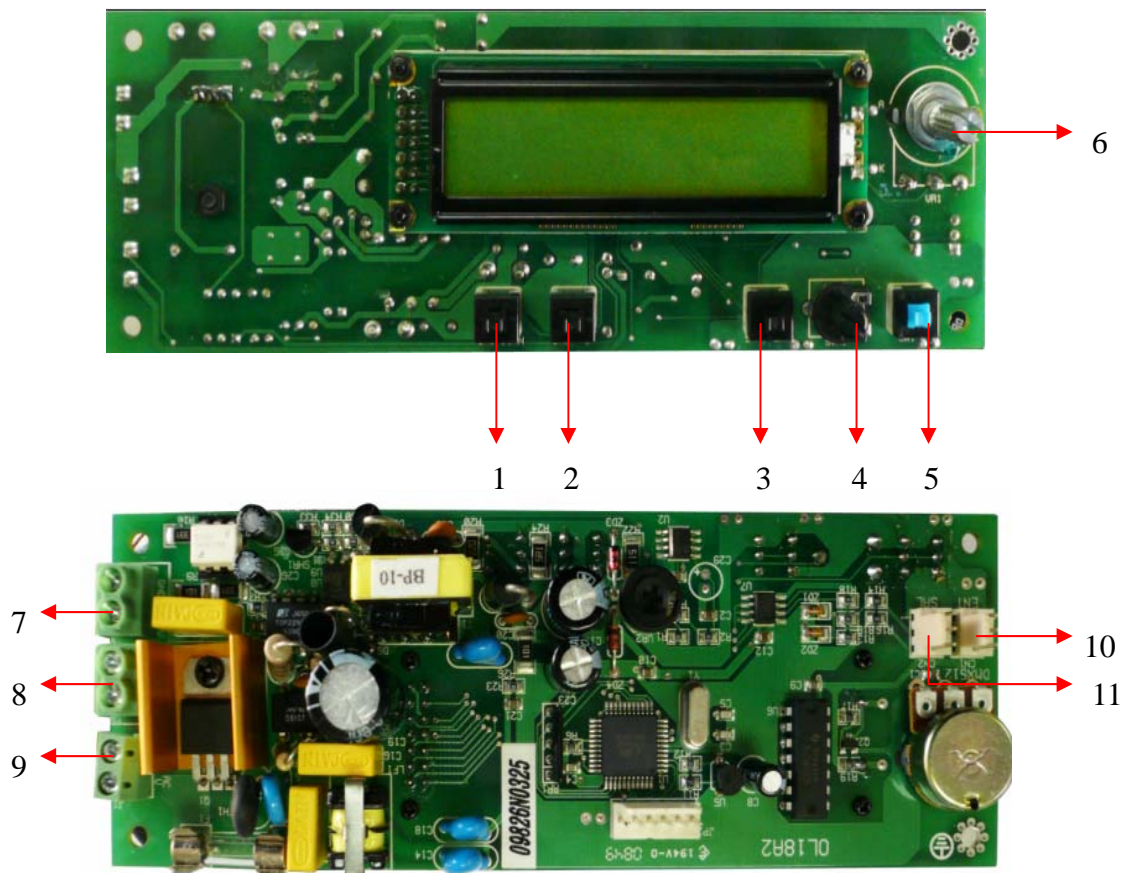
1-1 Feature

- Accept standard DMX signal control.
- Can choose C1 or C3 dimming curve.
- Adjust the output by manual knob.
- DC 0~10V output.

1-2 Specification

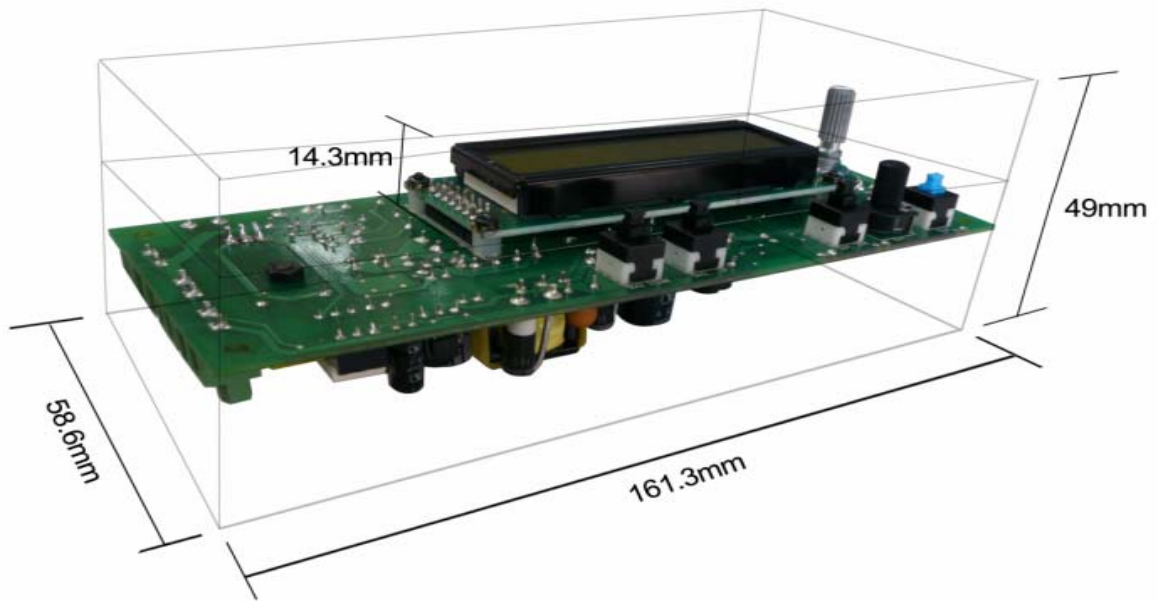
- AC Input: 90~240V
- AC Output: 90~240V
- DC Output: 0~10V
- Protocol: DMX-512
- Dimension: 161.3 (W) x 49 (H) x 58.6(D) (mm)
- Weight: 140g

1-3 Function

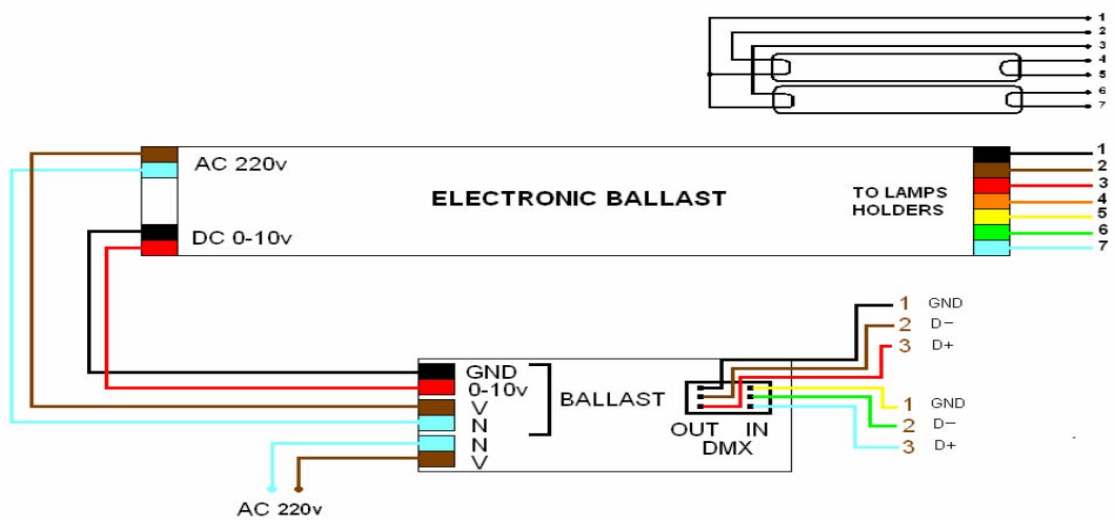


1	DOWN Key	7	DC Output
2	UP Key	8	AC Output
3	ENT: Enter the function/Exit	9	AC Input
4	CONTRAST: LCD backlight adjust knob	10	DMX In
5	DMX/MANUAL: Control mode choose key	11	DMX Out
6	Manual Knob		

1-4 Dimension



1-5 System Diagram

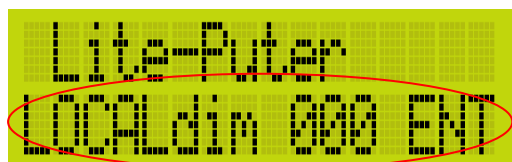


Chapter 2 Operation

2-1 Control Mode Setting

STEP-1 After switching on the device, on the home page press **【DMX/MANUAL】** to choose the control mode between DMX control and manual control.

STEP-2 Then press **【DMX/MANUAL】** to choose manual control mode.



Manual control mode.

STEP-3 Release **【DMX/MANUAL】** to choose DMX control mode.



DMX control mode.

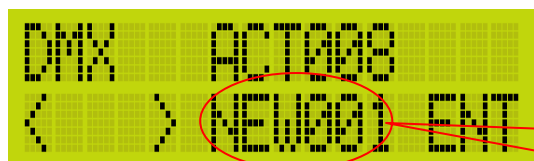
2-2 DMX Address Setting

STEP-1 On the homepage, press **【ENT】** once to enter DMX address setting.



DMX address is 8 now.

STEP-2 Press **【UP】** or **【DOWN】** to adjust the address. For example, set the DMX address as 1.



DMX address is 1 now.

Notice: Press **【UP】** or **【DOWN】** once, the address will increase or decrease 1 a time; hold **【UP】** or **【DOWN】**, the address will increase or decrease quickly. (**【UP】** =increase, **【DOWN】** =decrease)

STEP-3 Press **【ENT】** twice to save the setting and go back to the home page.



After setting, the DMX address is 1.

2-3 Dimming Curve Setting

STEP-1 On the home page, Press **【ENT】** twice to enter dimming curve

setting(When doing the DMX address setting, press **【ENT】** once can enter the dimming curve setting) .



Dimming curve is C1 now.

STEP-2 Press **【UP】** or **【DOWN】** to choose the dimming curve between C1 and C3.



After setting, dimming curve is C3.

STEP-3 Press **【ENT】** once to save the setting and go back to the home page.
 Notice: When doing the DMX address setting or dimming curve setting, it will automatically go back to the home page if there is no operation within 5 seconds.

2-4 LCD Backlight Setting

Adjust **【CONTRAST】** to change the LCD backlight. Turn **【CONTRAST】** clockwise, LCD will become brighter ; turn **【CONTRAST】** anti-clockwise, LCD will become darker.

2-5 DC Output Setting

On the manual control mode, the DC output can be 0~10V by adjusting the manual knob.

For example, turn the manual knob clockwise to the end, LCD will display:



DC output is 10V.

On the DMX control mode, DC output is controlled by the DMX input signal.
 For example, the controller's DMX channel is 2, so DX-F07's DMX address must be 2 too, LCD will display,



DMX address is 2.

The DC output can be 0 to 10V by adjusting the DMX channel's dimming value from 0% to 100%. LCD can't display the dimming value. The DC output will be 0, when the DMX channel's dimming value below 5%.

Notice: On the DMX control mode, when DX-F07 lose the DMX input signal the DC output will keep the DMX channel's dimming value on the moment of the signal losing till the DMX input signal restore. This function is automatically triggered.

Guarantee

Lite-Puter promises to fulfill the following acceptances:

1. Lite-Puter is only responsible for DX-F07 itself.
2. Lite-Puter guarantees to keep Lite-Puter's fault products caused by techniques, materials and any other logical reasons in good repair for free within a year since the distributing date.
3. We do not offer door-visiting service. If the trouble appears in Lite-Puter's products, please deliver the equipment to local distributors or Taipei headquarter.

***** Special Statement*****

Any fault caused by false usage, imprudence (collision or inadequate installation) or force majeure factors are not in Lite-Puter's service.

Revision Record

Version	Record
A	First version

Issued on: February, 2010

Lite-Puter
DX-F07 [EUM-A]

Lite-Puter

World Headquarter:

Lite Puter Enterprise Co., Ltd.

Address: 9F, No. 196, Sec. 3, Da Tung Rd., Shijr City, Taipei, Taiwan

Zip Code: 22103

Tel: +886-2-86472828

Fax: +886-2-86472727

Website: www.liteputer.com.tw

E-mail: sales@liteputer.com.tw

Shanghai Factory:

Lite Puter Technology (Shanghai) Co., Ltd.

Address: Building B5, No. 298, Lane 3509, Hongmei S. Road, Shanghai, China

Zip Code: 201108

Tel: +86-21-54408210

Fax: +86-21-64978079

Shanghai Sales Center:

Address: Room 701, Building Gem, No. 487, Tianlin Road, Shanghai, China

Zip Code: 201103

Tel: +86-21-33674316/33674850

Fax: +86-21-33674013

Website: www.liteputer.com.cn

E-mail: sales_china@liteputer.com.tw