

EDX-HUB / TW HUB

EDX Hub / EDX TW Hub

【Manual】



Lite Puter Enterprise Co., Ltd.

Website: www.liteputer.com.tw

E-mail: sales@liteputer.com.tw

English Version

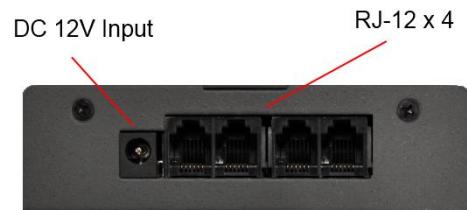
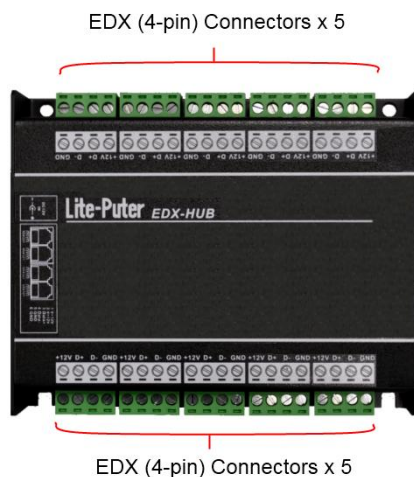
1 Features

- Connect/distribute up to 22 EDX devices.
- Supply power (12V DC) for ECP devices.

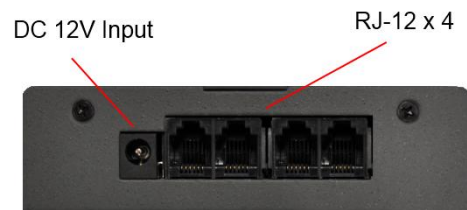
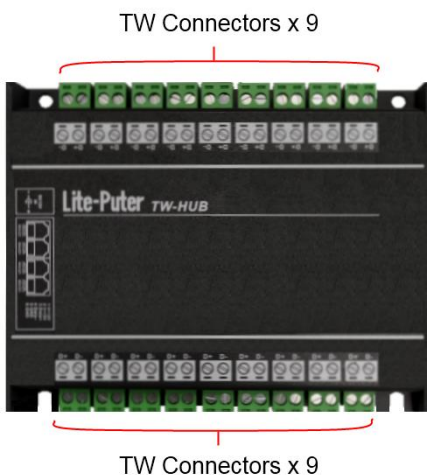
2 Specifications

- Power Input: 12V DC
- Protocol: EDX (RS-485)
- Connector:
EDX-Hub: EDX 4-pin , 6P6C RJ-12;
TW-Hub: EDX Twin Pair, 6P6C RJ-12
- Dimension: 134 (W) x 108 (H) x 32 (D) mm

EDX-HUB



TW-HUB



繁體中文版

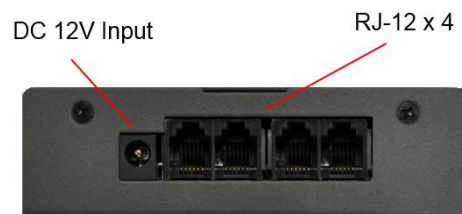
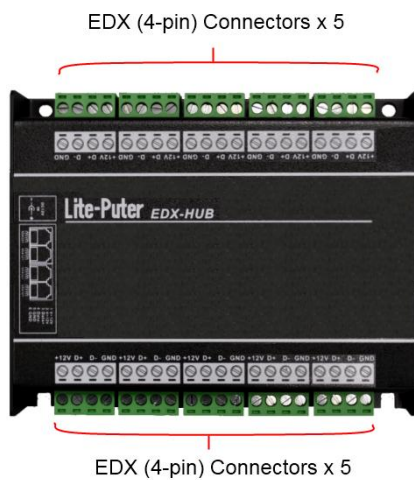
1 特色

- 可連接 22 個 EDX 裝置
- 可供應 ECP 面板等裝置 12V DC 的電源

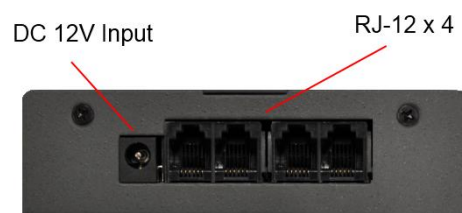
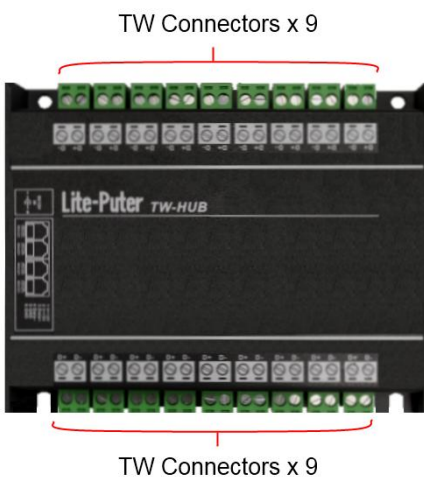
2 規格

- 電源輸入：12V DC
- 通訊協定：EDX(RS-485)
- 連接端子：
 - EDX Hub: 4 pin 綠色端子, 6P6C RJ-12
 - TW Hub: 2 pin 綠色端子, 6P6C RJ-12
- 尺寸：134 (W) x 108 (H) x 32 (D) mm

EDX-HUB



TW-HUB



简体中文版

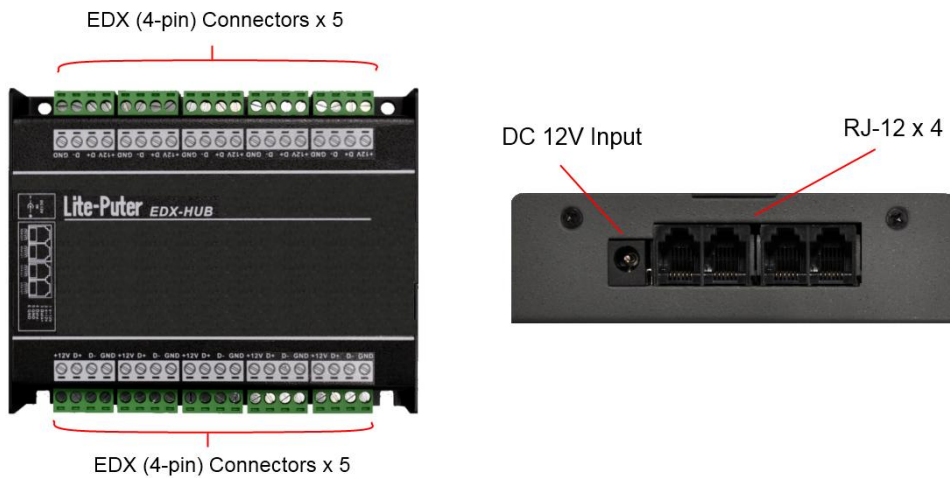
1 特色

- 可连接 22 个 EDX 装置
- 可供应 ECP 面板等装置 12V DC 的电源

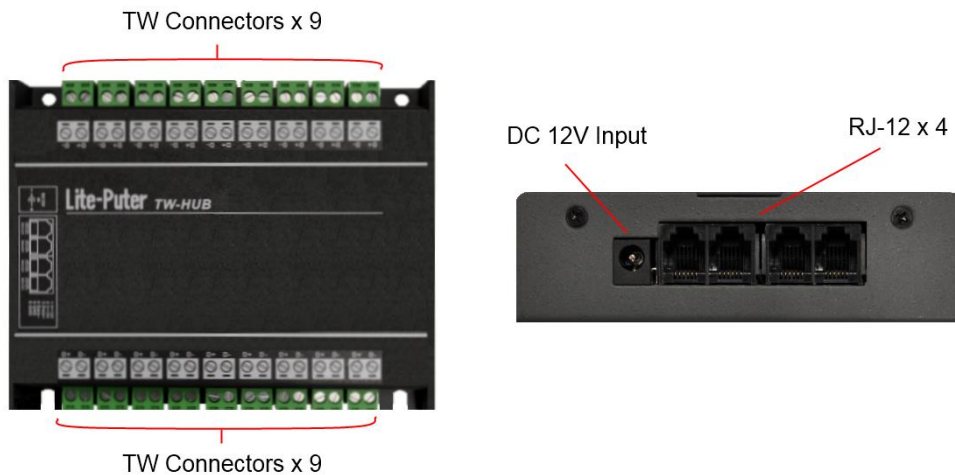
2 规格

- 电源输入： 12V DC
- 通讯协议： EDX(RS-485)
- 连接端子：
 - EDX Hub: 4 pin 绿色端子, 6P6C RJ-12
 - TW Hub: 2 pin 绿色端子, 6P6C RJ-12
- 尺寸： 134 (W) x 108 (H) x 32 (D) mm

EDX-HUB



TW-HUB



Guarantee

Lite-Puter promises to fulfill the following acceptances:

1. Lite-Puter is only responsible for EDX-HUB, TW-HUB itself.
2. Lite-Puter guarantees to keep Lite-Puter's fault products caused by techniques, materials and any other logical reasons in good repair for free within a year since the distributing date.
3. We do not offer door-visiting service. If the trouble appears in Lite-Puter's products, please deliver the equipment to local distributors or Taipei headquarter.

***** Special Statement*****

Any fault caused by false usage, imprudence (collision or inadequate installation) or force majeure factors are not in Lite-Puter's service.

Revision Record

Version	Record
A	First Version

Issued: 2010/12

Lite-Puter

World Headquarters:

Lite-Puter Enterprise Co., Ltd.

Address: 11F, No. 189, Gangqian Rd., Neihu Dist., Taipei City 11494, Taiwan.

Tel: +886-2-27998099

Fax: +886-2-27993828

Website: www.liteputer.com.tw

E-mail: sales@liteputer.com.tw

Shanghai Factory:

Lite-Puter Technology (Shanghai) Co., Ltd.

Address: Building B5, No. 298, Lane 3509, Hongmei S. Road, Shanghai, China

Zip Code: 201108

Tel: +86-21-54408210

Fax: +86-21-64978079

Shanghai Sales Center:

Address: Room 701, Building Gem, No. 487, Tianlin Road, Shanghai, China

Zip Code: 201103

Tel: +86-21-33674316 / 33674850

Fax: +86-21-33674013

Website: www.liteputer.com.cn

E-mail: sales_china@liteputer.com.tw